

SPEC. SHEET No. TM-30Z-4-007/EX-01 [TM-ZR306]  
SPEC. SHEET No. TM-30Z-4-307/EX-01 [TM-ZR306(H)]  
DATE February, 1999

TADANO CARGO CRANE

MODEL :  TM-ZR306  
 TM-ZR306 (H) ----- with hook stowing device

CRANE SPECIFICATIONS

CRANE CAPACITY 3,030 kg at 2.4 m (4-part lines)

BOOM 6-sectioned, fully powered partly synchronized telescoping boom of pentagonal box construction  
Retracted length.....3.65 m  
Extended length.....14.6 m  
Extending speed.....10.95 m / 19 s  
Elevation .....Elevated by a double-acting hydraulic cylinder  
Elevating speed.....1° to 78° / 7.5 s  
Boom point.....2 sheaves

WINCH Hydraulic motor driven Spur gear speed reduction, provided with mechanical brake and cable follower  
Single line pull.....7.45 kN{760 kgf}  
Single line speed.....76 m/min (at 4th layer)  
Wire rope  
diameter × length.....  
8 mm × 85 m  
breaking strength...43.1 kN{4.39 tf}  
construction.....7 × 7 + 6 × WS(26)  
Hook block.....2 sheaves

HOOK STOWING DEVICE Mechanically stowed beneath boom top portion  
[TM-ZR306(H) only]

SWING Hydraulic motor driven Worm gear speed reduction Continuous  
360° full circle swing on ball bearing slew ring  
Automatic swing lock  
Swing speed.....2.5 min<sup>-1</sup>{rpm}

OUTRIGGERS Manually extended sliders and hydraulically extended jacks  
Integral with crane frame Power up and down  
Extended width.....Min. 2,000 mm  
Mid. 2,700 mm  
Max. 3,400 mm

REAR OUTRIGGERS (Locally provided)  
Fully extended width .....Not less than 2,800 mm

HYDRAULICS Hydraulic pump.....Single gear pump  
Hydraulic motors.....Axial piston type for winch  
Axial piston type for swing  
Control valves.....Multiple control valves with integral  
safety valve

SAFETY DEVICES Load meter  
Load indicator  
Over-winding alarm  
Hoisting limiter [TM-ZR306(H) only]  
P.T.O indicator lamp  
Hook safety latch  
Level gauge  
Hydraulic safety valves, check valves and holding valves

CRANE MASS Approx. 1,430 kg (with standardized mounting parts included and  
rear outriggers excluded)

NOTE : Operating speeds of the crane are guaranteed under the  
condition that the pump delivery is 60 L/min.

### RATED LIFTING CAPACITIES IN KIROGRAMS

A B	3.65 m 5.87 m	A B	8.07 m	A B	10.2 m	A B	12.4 m	A B	14.6 m
2.4 m and below	3,030	2.7 m and below	2,230	4.0 m and below	1,030	5.0 m and below	630	4.9 m and below	330
2.5 m	2,780	3.0 m	2,030	5.0 m	830	6.0 m	480	6.0 m	280
3.0 m	2,280	3.5 m	1,680	6.0 m	730	7.0 m	400	7.0 m	250
3.5 m	1,930	4.0 m	1,380	7.0 m	630	8.0 m	350	8.0 m	230
4.0 m	1,630	4.5 m	1,180	8.0 m	530	9.0 m	310	9.0 m	210
4.5 m	1,430	5.0 m	1,050	9.0 m	480	10.0 m	280	10.0 m	190
5.0 m	1,250	5.5 m	930	10.05m	430	11.0 m	250	11.0 m	170
5.67m	1,080	6.0 m	830			12.22m	230	12.0 m	160
		6.5 m	730					13.0 m	140
		7.0 m	680					14.4 m	130
		7.87m	630						

A : Boom length

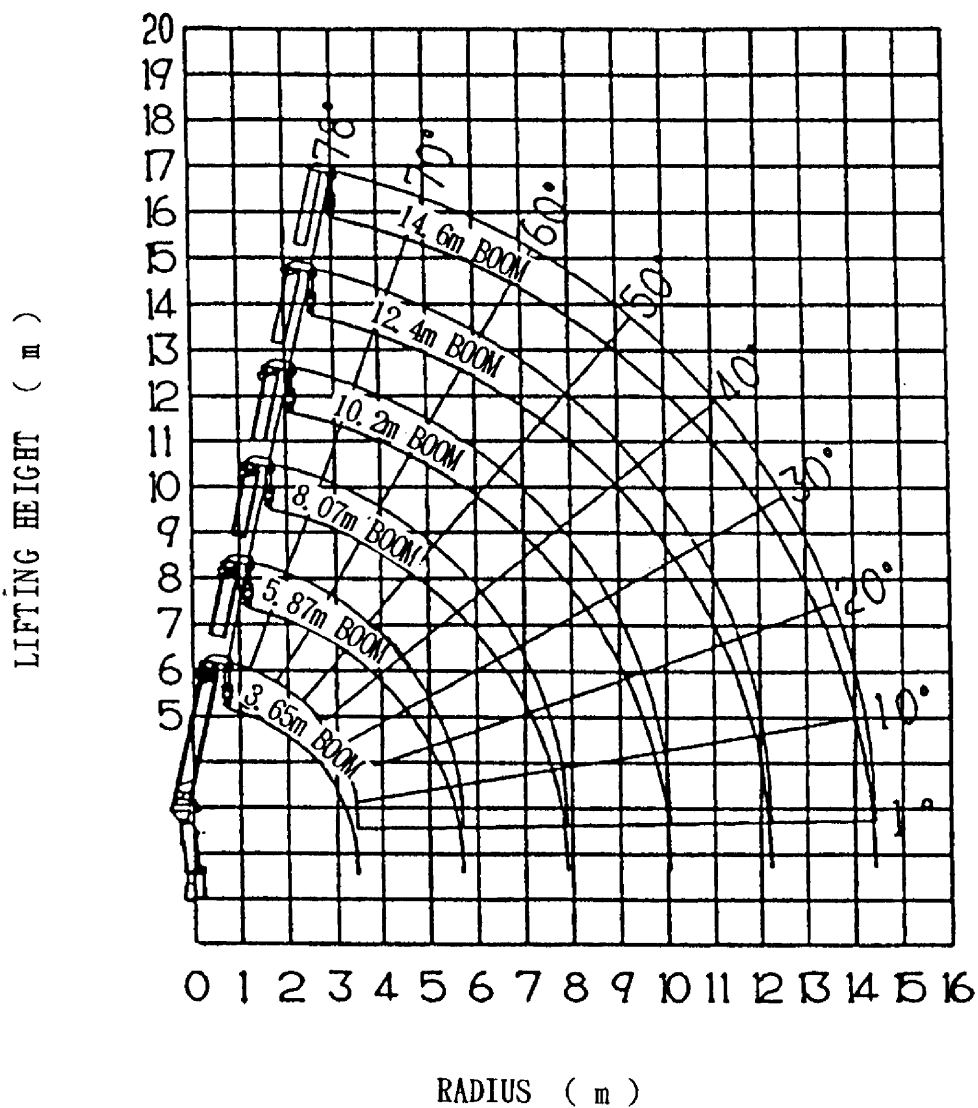
B : Load radius

## NOTES :

1. The mass of the hook (30 kg), slings and all similarly used load handling devices must be added to the mass of the load.
2. The above numerical values of rated lifting capacities are based on crane strength only.

The rated lifting capacities based on stability may lower than those in the above table depending on the loading conditions and the types of the chassis.

WORKING RANGE

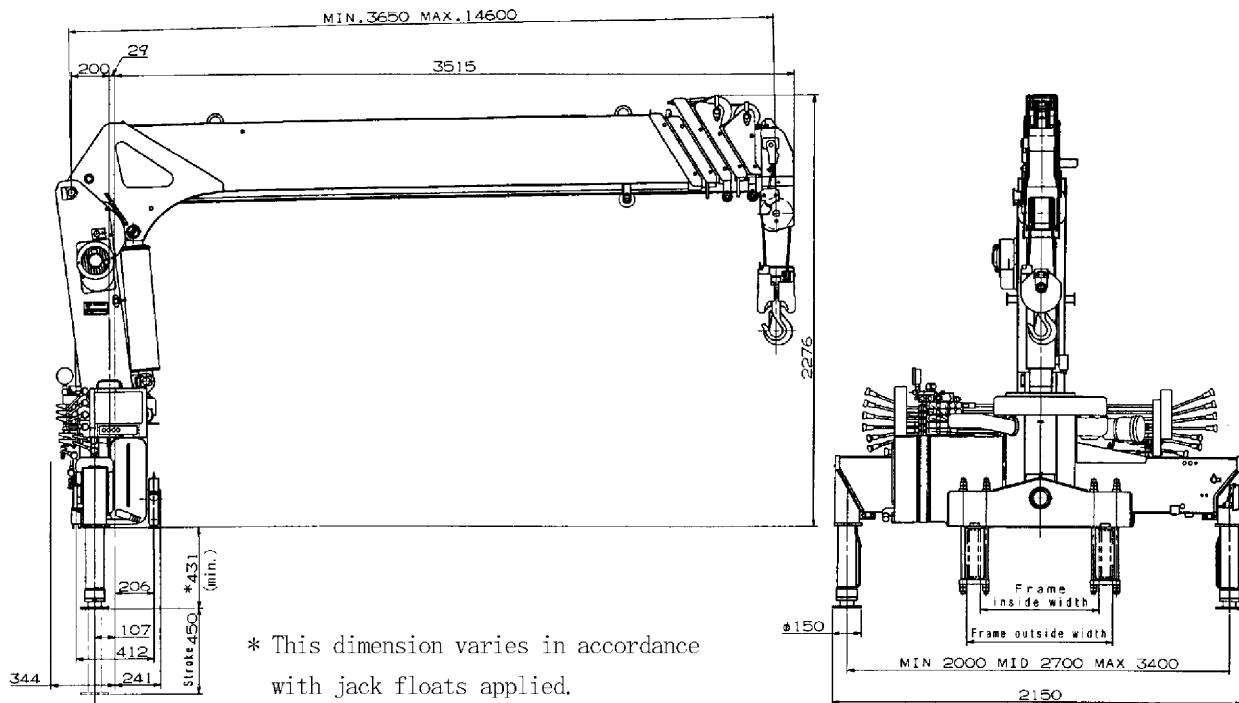


NOTE:

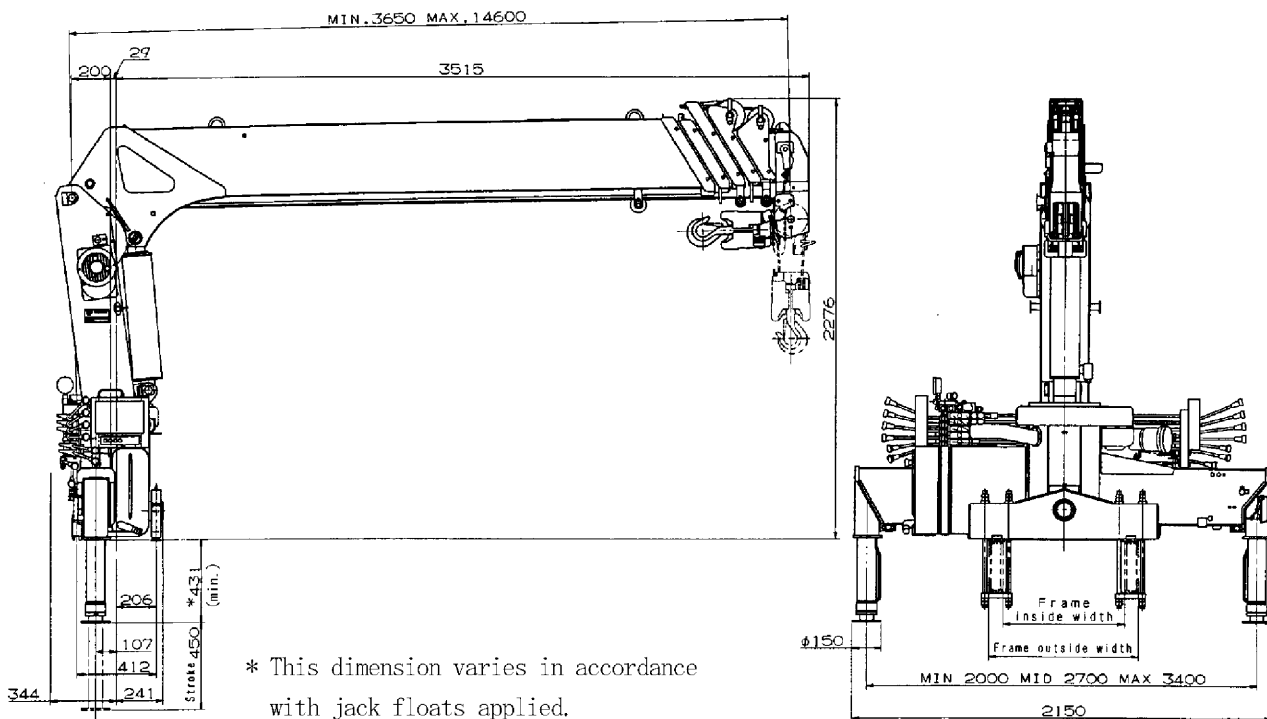
The above lifting heights and boom angles are based on a straight (unladen) boom, and allowance should be made for boom deflection obtained under laden conditions.

DIMENSIONS

ZR306



ZR306 (H)



## GENERAL DATA FOR SUITABLE TRUCKS

Gross vehicle mass (including crane mass).....  
7,500 to 10,000 kg

P.T.O. torque.....127 N·m{13 kgf·m} min.

P.T.O. revolution.....Approx. 300 to 3,000 min<sup>-1</sup>{rpm}

Width for crane mounting...Approx. 660 mm min.

Frame.....Weight distribution and frame strength  
should be calculated for each truck

Frame width range (inside to outside)...  
Approx. 610 to 865 mm

Frame height (ground to frame top).....  
Approx. 1,030 mm max.  
(Height of crane mounting base can be  
changed by combination of jack floats  
and crane bases)