

SPEC. SHEET No. TM-50Z-4-005/EX-02 [TM-ZR506]
SPEC. SHEET No. TM-50Z-4-305/EX-02 [TM-ZR506 (H)]
DATE December, 1999

TADANO CARGO CRANE

MODEL : TM-ZR506
 TM-ZR506 (H) ----- with hook stowing device

CRANE SPECIFICATIONS

CRANE CAPACITY 3,230 kg at 3.6 m (4-part lines)

BOOM 6-sectioned, fully powered partly synchronized telescoping boom of pentagonal box construction
Retracted length ----- 3.85 m
Extended length ----- 15.69 m
Extending speed ----- 11.84 m / 28 s
Elevation ----- Elevated by a double-acting hydraulic cylinder
Elevating speed ----- 1° to 78° / 12 s
Boom point ----- 2 sheaves

WINCH Hydraulic motor driven Spur gear speed reduction, provided with mechanical brake and cable follower
Single line pull ----- 7.94 kN{810 kgf}
Single line speed ----- 76 m/min (at 4th layer)
Wire rope
diameter × length -----
8 mm × 92 m
breaking strength ----- 43.1 kN{4.39 tf}
construction ----- 7 × 7 + 6 × WS(26)
Hook block ----- 2 sheaves

HOOK STOWING DEVICE Mechanically stowed beneath boom top portion
[TM-ZR506 (H) only]

RATED LIFTING CAPACITIES IN KILOGRAMS

B \ A	3.85m 6.29m 8.67m		11.01m	B \ A	13.35m		B \ A	15.69m	
	B	A			B	A		B	A
3.6 m and below	3,230	4.5 m and below	2,030	5.0 m and below	1,330	6.0 m and below	530		
4.5 m	2,430	5.0 m	1,830	6.0 m	1,100	7.0 m	430		
5.0 m	2,130	6.0 m	1,480	7.0 m	950	8.0 m	380		
5.5 m	1,880	7.0 m	1,230	8.0 m	830	9.0 m	380		
6.0 m	1,650	8.0 m	1,030	9.0 m	730	10.0 m	330		
6.5 m	1,480	9.0 m	880	10.0 m	650	11.0 m	330		
7.0 m	1,350	10.0 m	780	11.0 m	600	12.0 m	280		
7.5 m	1,230	10.79m	730	12.0 m	550	13.0 m	280		
8.45m	1,030			13.13m	500	14.0 m	250		
						15.47m	230		

A : Boom length

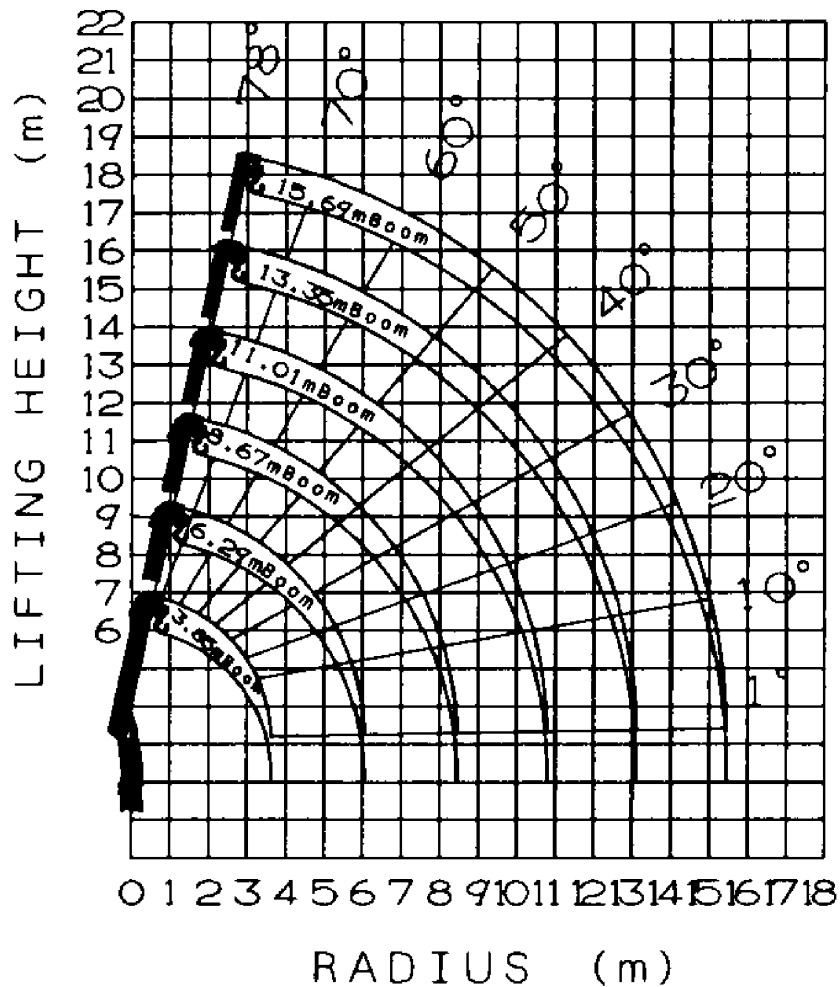
B : Load radius

NOTES :

1. The mass of the hook (30 kg), slings and all similarly used load handling devices must be added to the mass of the load.
2. The above numerical values of rated lifting capacities are based on crane strength only.

The rated lifting capacities based on stability may lower than those in the above table depending on the loading conditions and the types of the chassis.

WORKING RANGE



NOTE:

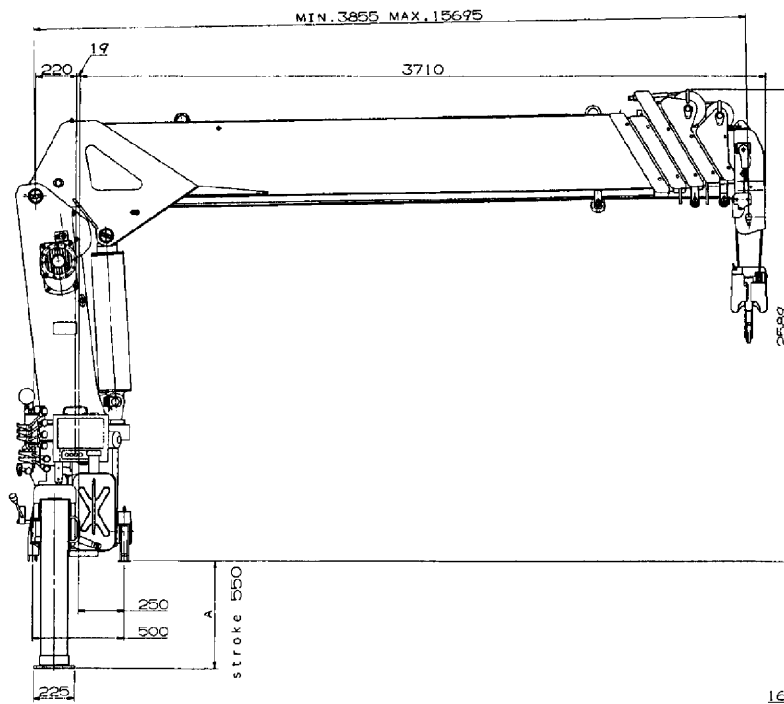
The above lifting heights and boom angles are based on a straight (unladen) boom, and allowance should be made for boom deflection obtained under laden conditions.

SPEC. SHEET No. TM-50Z-4-005/EX-02 [TM-ZR506]

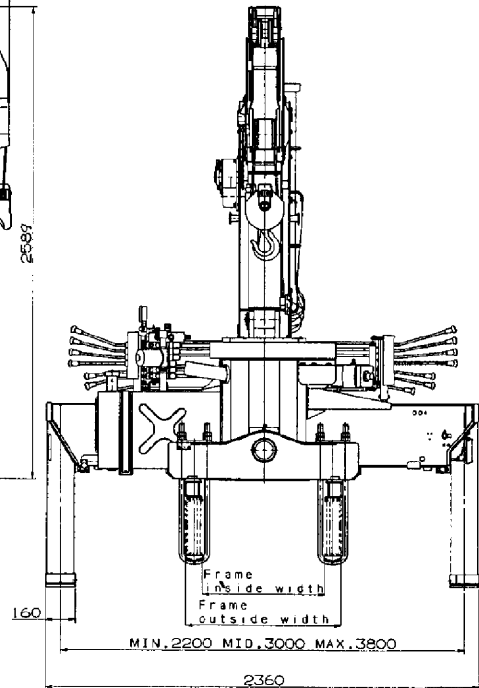
SPEC. SHEET No. TM-50Z-4-305/EX-02 [TM-ZR506 (H)]

DIMENSIONS

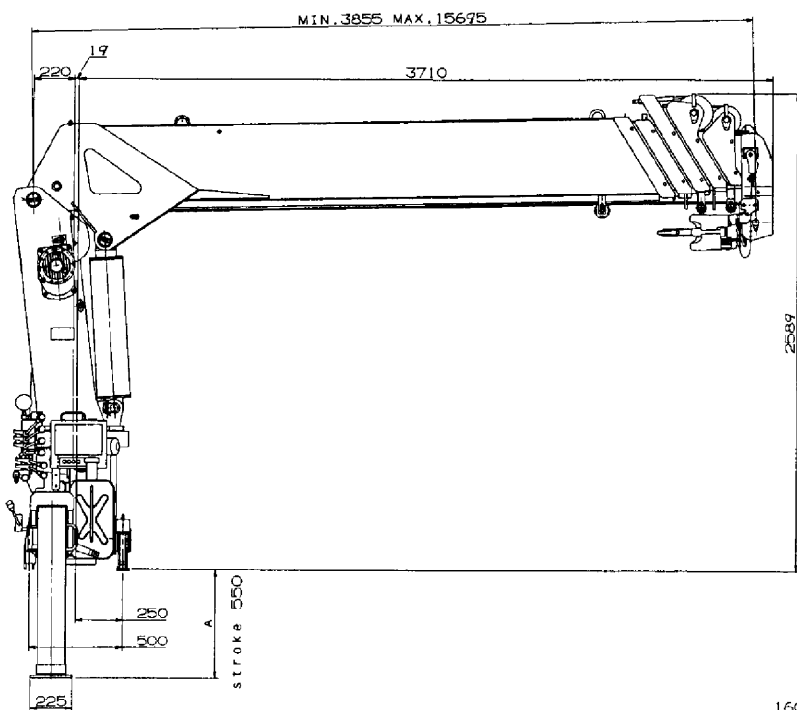
ZR506



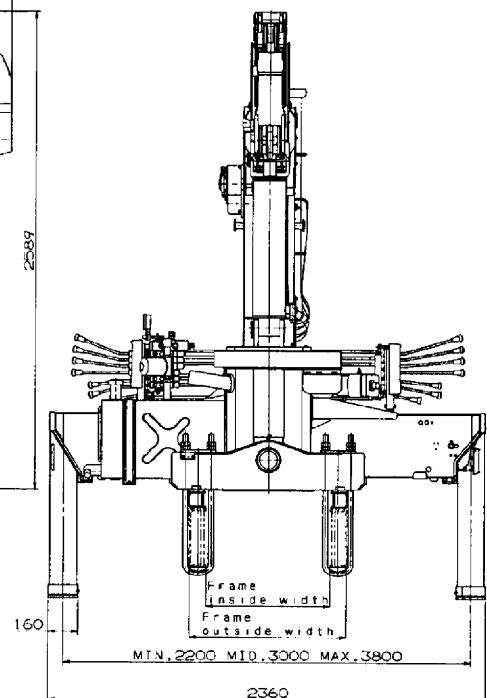
A = 590 mm or 900 mm
(This dimension depends on jack floats applied.)



ZR506 (H)



A = 590 mm or 900 mm
(This dimension depends on jack floats applied.)



GENERAL DATA FOR SUITABLE TRUCKS

Gross vehicle mass (including crane mass) -----	12,000 to 25,000 kg
P.T.O. torque -----	157 N·m{16 kgf·m} min.
P.T.O. revolution -----	Approx. 270 to 2,800 min ⁻¹ {rpm}
Width for crane mounting -----	Approx. 750 mm min.
Frame -----	Weight distribution and frame strength should be calculated for each truck
Frame width range (inside to outside) -----	Approx. 610 to 960 mm
Frame height (ground to frame top) -----	Approx. 1,235 mm max. (Height of crane mounting base can be changed by combination of jack floats and crane bases)