

SPEC. SHEET No. TM-56Z-2-005/EX-01 [TM-ZR566S] (Standard outrigger)
SPEC. SHEET No. TM-56Z-2-305/EX-01 [TM-ZR566S(H)] (Standard outrigger)
SPEC. SHEET No. TM-56Z-2-025/EX-01 [TM-ZR566S] (Power slide outrigger)
SPEC. SHEET No. TM-56Z-2-325/EX-01 [TM-ZR566S(H)] (Power slide outrigger)
DATE December, 2000

TADANO CARGO CRANE

MODEL : TM-ZR566S
 TM-ZR566S (H) ----- with hook stowing device

CRANE SPECIFICATIONS

CRANE CAPACITY 3,230 kg at 3.6 m (4-part lines)

BOOM 6-sectioned, fully powered partly synchronized telescoping boom of pentagonal box construction
Retracted length ----- 3.85 m
Extended length ----- 15.69 m
Extending speed ----- 11.84 m / 28 s
Elevation ----- Elevated by a double-acting hydraulic cylinder
Elevating speed ----- 1° to 78° / 12 s
Boom point ----- 2 sheaves

WINCH Hydraulic motor driven Spur gear speed reduction, provided with mechanical brake and cable follower
Single line pull ----- 7.94 kN{810 kgf}
Single line speed ---- 76 m/min (at 4th layer)
Wire rope
diameter × length -----
8 mm × 92 m
breaking strength - 43.1 kN{4.39 tf}
construction ----- 7 × 7 + 6 × WS(26)
Hook block ----- 2 sheaves

HOOK STOWING DEVICE Mechanically stowed beneath boom top portion
[TM-ZR566S(H) only]

SPEC. SHEET No. TM-56Z-2-005/EX-01 [TM-ZR566S] (Standard outrigger)
SPEC. SHEET No. TM-56Z-2-305/EX-01 [TM-ZR566S(H)] (Standard outrigger)
SPEC. SHEET No. TM-56Z-2-025/EX-01 [TM-ZR566S] (Power slide outrigger)
SPEC. SHEET No. TM-56Z-2-325/EX-01 [TM-ZR566S(H)] (Power slide outrigger)

SWING

Hydraulic motor driven Worm gear speed reduction Continuous
360° full circle swing on ball bearing slew ring
Automatic swing lock
Swing speed ----- 2.5 min⁻¹{rpm}

OUTRIGGERS

Manually extended sliders and hydraulically extended jacks
(Standard outrigger)
Hydraulically extended sliders and hydraulically extended jacks
(Power slide outrigger)
Integral with crane frame Power up and down
Extended width ----- Min. 2,200 mm
Mid. 3,300 mm , 4,300 mm
Max. 4,800 mm

HYDRAULICS

Hydraulic pump ----- Single gear pump
Hydraulic motors ----- Axial piston type for winch
Axial piston type for swing
Control valves ----- Multiple control valves with integral
safety valve

SAFETY DEVICES

Load meter
Load indicator
Over-winding alarm
Hoisting limiter
P.T.O. indicator lamp
Hook safety latch
Level gauge
Hydraulic safety valves, check valves and holding valves

CRANE MASS

Approx. 2,150 kg (Standard outrigger)
Approx. 2,200 kg (Power slide outrigger)
(includes standardized mounting parts)

NOTE :

Operating speeds of the crane are guaranteed under the
condition that the pump delivery is 60 L/min.

SPEC. SHEET No. TM-56Z-2-005/EX-01 [TM-ZR566S] (Standard outrigger)
 SPEC. SHEET No. TM-56Z-2-305/EX-01 [TM-ZR566S(H)] (Standard outrigger)
 SPEC. SHEET No. TM-56Z-2-025/EX-01 [TM-ZR566S] (Power slide outrigger)
 SPEC. SHEET No. TM-56Z-2-325/EX-01 [TM-ZR566S(H)] (Power slide outrigger)

RATED LIFTING CAPACITIES IN KILOGRAMS

B \ A	3.85m 6.29m 8.67m		B \ A	11.01m		B \ A	13.35m		B \ A	15.69m	
	3.6 m and below	3,230		4.5 m and below	2,030		5.0 m and below	1,330		6.0 m and below	530
4.5 m	2,430	5.0 m	1,830	6.0 m	1,100	7.0 m	430	8.0 m	380	9.0 m	380
5.0 m	2,130	6.0 m	1,480	7.0 m	830	8.0 m	730	10.0 m	330	11.0 m	330
5.5 m	1,880	7.0 m	1,230	8.0 m	650	9.0 m	600	12.0 m	280	13.0 m	280
6.0 m	1,650	8.0 m	1,030	9.0 m	550	10.0 m	500	14.0 m	250	15.47m	230
6.5 m	1,480	9.0 m	880	10.0 m	730	11.0 m	600	12.0 m	500	13.0 m	280
7.0 m	1,350	10.0 m	780	11.0 m	600	12.0 m	550	13.0 m	500	14.0 m	250
7.5 m	1,230	10.79m	730	12.0 m	550	13.0 m	500	14.0 m	250	15.47m	230
8.45m	1,030			13.13m	500	14.0 m	250	15.47m	230		

A : Boom length

B : Load radius

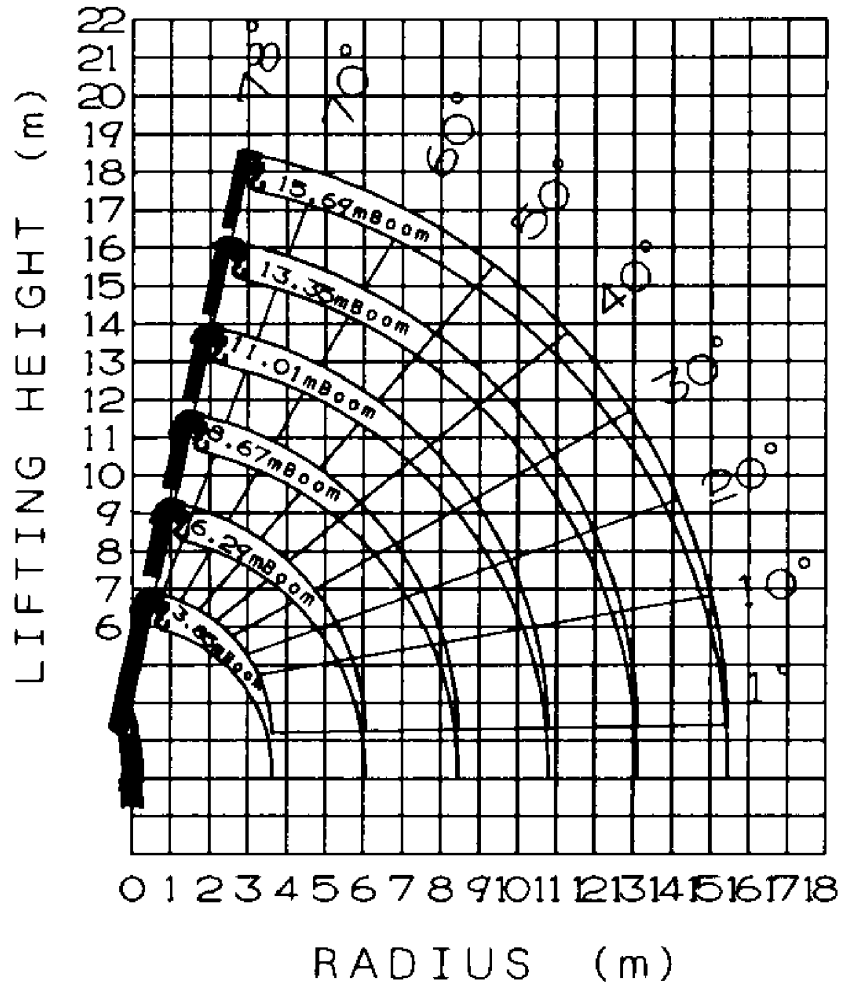
NOTES :

1. The mass of the hook (30 kg), slings and all similarly used load handling devices must be added to the mass of the load.
2. The above numerical values of rated lifting capacities are based on crane strength only.

The rated lifting capacities based on stability may lower than those in the above table depending on the loading conditions and the types of the chassis.

SPEC. SHEET No. TM-56Z-2-005/EX-01 [TM-ZR566S] (Standard outrigger)
 SPEC. SHEET No. TM-56Z-2-305/EX-01 [TM-ZR566S(H)] (Standard outrigger)
 SPEC. SHEET No. TM-56Z-2-025/EX-01 [TM-ZR566S] (Power slide outrigger)
 SPEC. SHEET No. TM-56Z-2-325/EX-01 [TM-ZR566S(H)] (Power slide outrigger)

WORKING RANGE



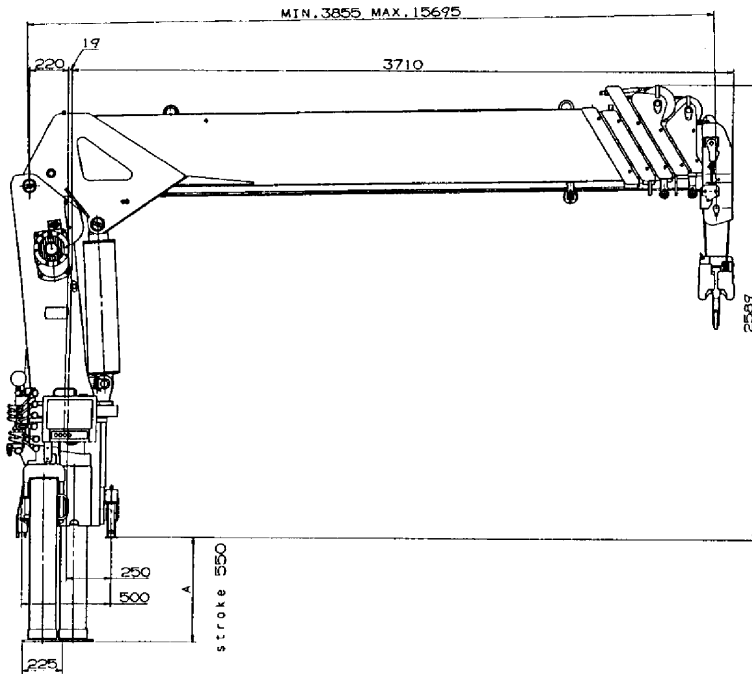
NOTE:

The above lifting heights and boom angles are based on a straight (unladen) boom, and allowance should be made for boom deflection obtained under laden conditions.

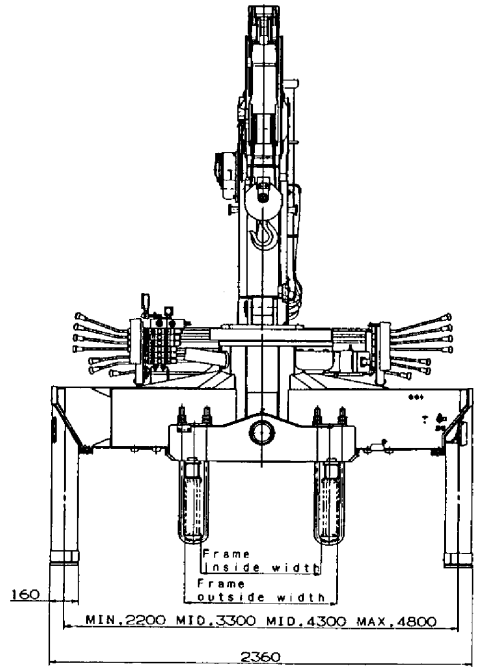
- SPEC. SHEET No. TM-56Z-2-005/EX-01 [TM-ZR566S] (Standard outrigger)
 SPEC. SHEET No. TM-56Z-2-305/EX-01 [TM-ZR566S(H)] (Standard outrigger)
 SPEC. SHEET No. TM-56Z-2-025/EX-01 [TM-ZR566S] (Power slide outrigger)
 SPEC. SHEET No. TM-56Z-2-325/EX-01 [TM-ZR566S(H)] (Power slide outrigger)

DIMENSIONS (Standard outrigger)

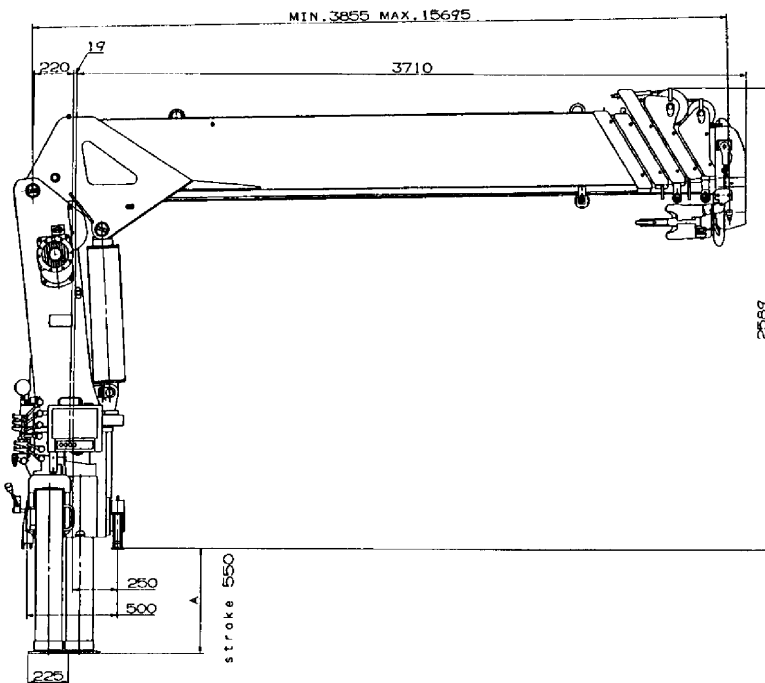
ZR566S



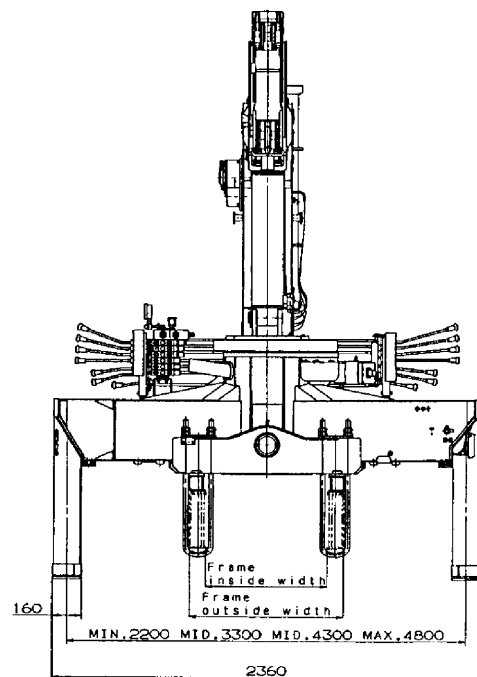
A = 593 mm
 (This dimension depends on jack floats applied.)



ZR566S (H)



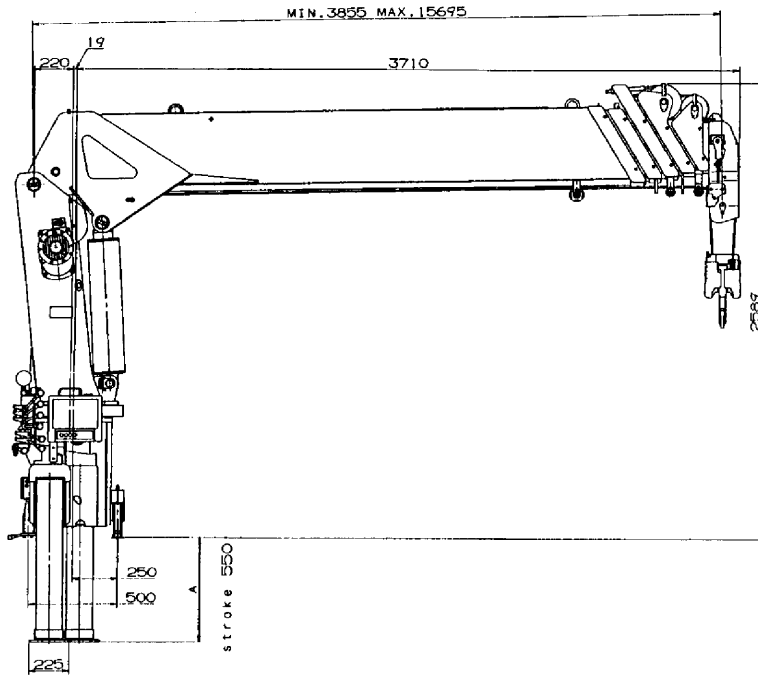
A = 593 mm
 (This dimension depends on jack floats applied.)



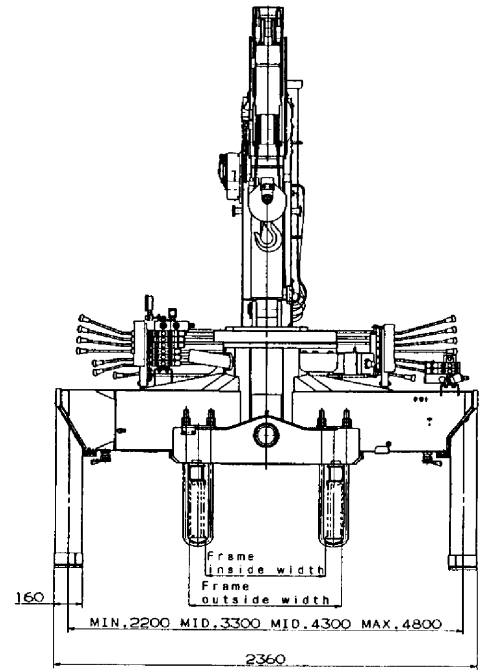
- SPEC. SHEET No. TM-56Z-2-005/EX-01 [TM-ZR566S] (Standard outrigger)
 SPEC. SHEET No. TM-56Z-2-305/EX-01 [TM-ZR566S(H)] (Standard outrigger)
 SPEC. SHEET No. TM-56Z-2-025/EX-01 [TM-ZR566S] (Power slide outrigger)
 SPEC. SHEET No. TM-56Z-2-325/EX-01 [TM-ZR566S(H)] (Power slide outrigger)

DIMENSIONS (Power slide outrigger)

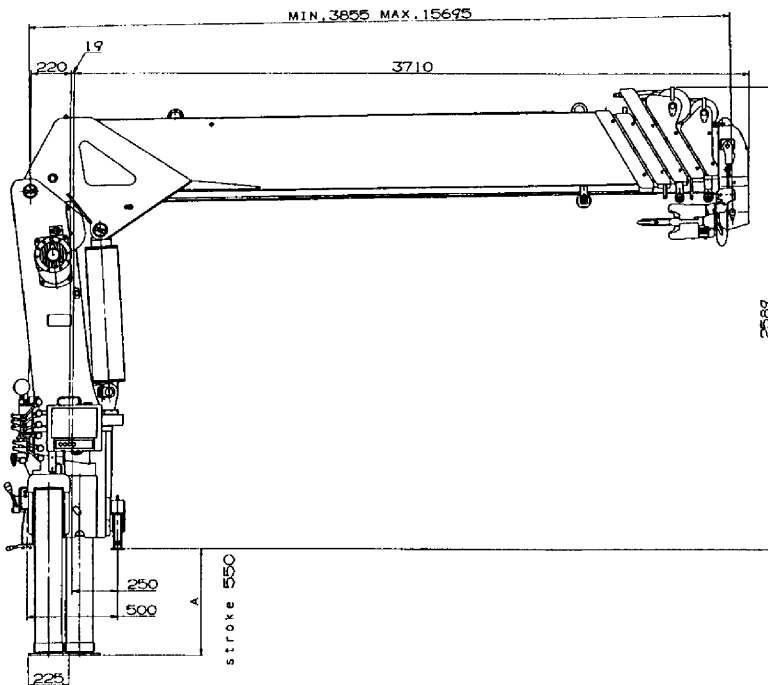
ZR566S



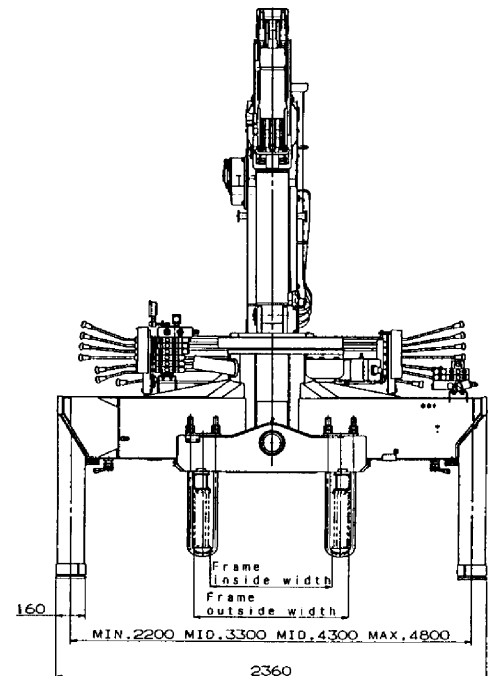
A = 593 mm
 (This dimension depends on jack floats applied.)



ZR566S (H)



A = 593 mm
 (This dimension depends on jack floats applied.)



SPEC. SHEET No. TM-56Z-2-005/EX-01 [TM-ZR566S] (Standard outrigger)
SPEC. SHEET No. TM-56Z-2-305/EX-01 [TM-ZR566S(H)] (Standard outrigger)
SPEC. SHEET No. TM-56Z-2-025/EX-01 [TM-ZR566S] (Power slide outrigger)
SPEC. SHEET No. TM-56Z-2-325/EX-01 [TM-ZR566S(H)] (Power slide outrigger)

GENERAL DATA FOR SUITABLE TRUCKS

Gross vehicle mass (including crane mass) -----
12,000 to 25,000 kg

P.T.O. torque ----- 157 N·m {16 kgf·m} min.

P.T.O. revolution ----- Approx. 270 to 2,800 min⁻¹{rpm}

Width for crane mounting -- Approx. 750 mm min.

Frame ----- Weight distribution and frame strength
should be calculated for each truck

Frame width range (inside to outside) -----
Approx. 610 to 960 mm

Frame height (ground to frame top) -----
Approx. 1,235 mm max.
(Height of crane mounting base can be
changed by combination of jack floats
and crane bases)