

SPEC. SHEET No. TM-23Z-2-402/EX-01 [TM-ZR233(W)]  
SPEC. SHEET No. TM-23Z-2-502/EX-01 [TM-ZR233(WH)]  
DATE August, 1999

## TADANO CARGO CRANE

MODEL :  TM-ZR233 (W)  
 TM-ZR233 (WH) — with hook stowing device

## CRANE SPECIFICATIONS

CRANE CAPACITY 2,330 kg at 1.7 m (4-part lines)

BOOM 3-sectioned, fully powered synchronized telescoping boom  
of pentagonal box construction  
Retracted length ----- 2.65 m  
Extended length ----- 6.4 m  
Extending speed ----- 3.75 m / 10.5 s  
Elevation ----- Elevated by a double-acting  
hydraulic cylinder  
Elevating speed ----- 1° to 75° / 6.5 s  
Boom point ----- 2 sheaves

WINCH Hydraulic motor driven Spur gear speed reduction, provided  
with mechanical brake  
Single line pull ----- 5.74 kN {585 kgf}  
Single line speed ----- 80 m/min (at 4th layer)  
Wire rope  
diameter × length -----  
8 mm × 45 m  
breaking strength --- 43.1 kN {4.39 tf}  
construction ----- 7 × 7 + 6 × WS(26)  
Hook block ----- 2 sheaves

HOOK STOWING DEVICE Mechanically stowed beneath boom top portion  
[TM-ZR233(WH) only]



## RATED LIFTING CAPACITIES IN KILOGRAMS

A		2.65 m 4.52 m	A		6.4 m
B			B		
1.7 m and below		2,330	3.0 m and below		1,230
2.0 m		2,030	3.5 m		1,030
2.5 m		1,530	4.0 m		880
3.0 m		1,280	4.5 m		780
3.5 m		1,080	5.0 m		680
4.0 m		980	5.5 m		630
4.32m		880	6.2 m		530

A : Boom length

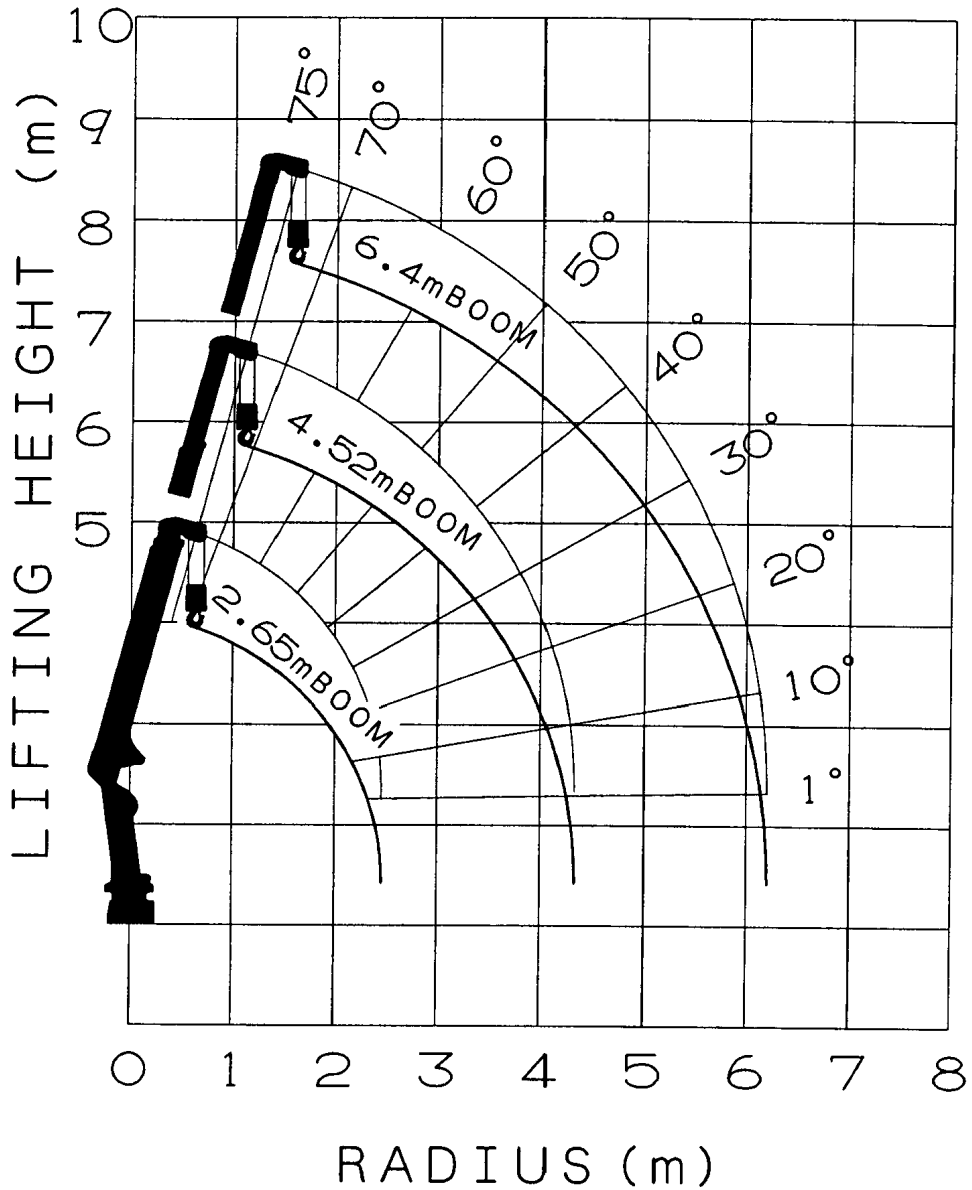
B : Load radius

## NOTES :

1. The mass of the hook (30 kg), slings and all similarly used load handling devices must be added to the mass of the load.
2. The above numerical values of rated lifting capacities are based on crane strength only.

The rated lifting capacities based on stability may lower than those in the above table depending on the loading conditions and the types of the chassis.

### WORKING RANGE



**NOTE:**

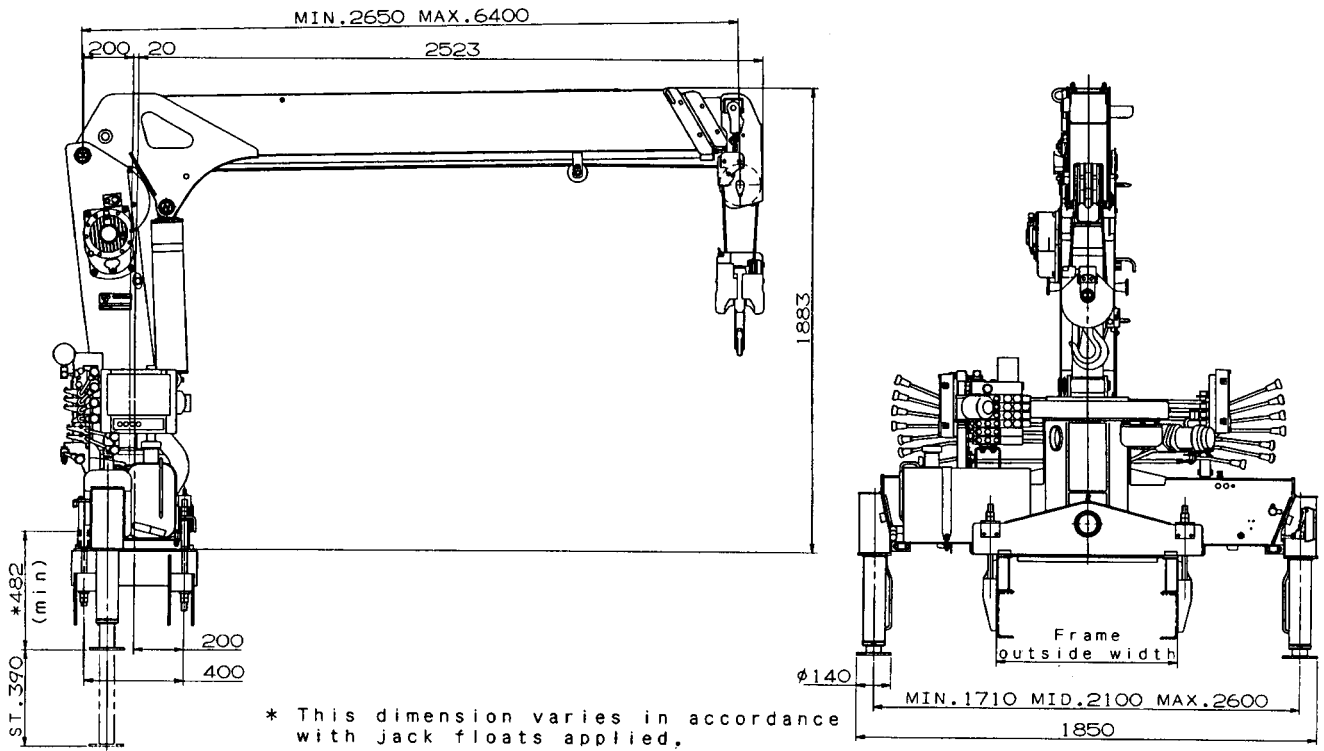
The above lifting heights and boom angles are based on a straight (unladen) boom, and allowance should be made for boom deflection obtained under laden conditions.

SPEC. SHEET No. TM-23Z-2-402/EX-01 [TM-ZR233(W)]

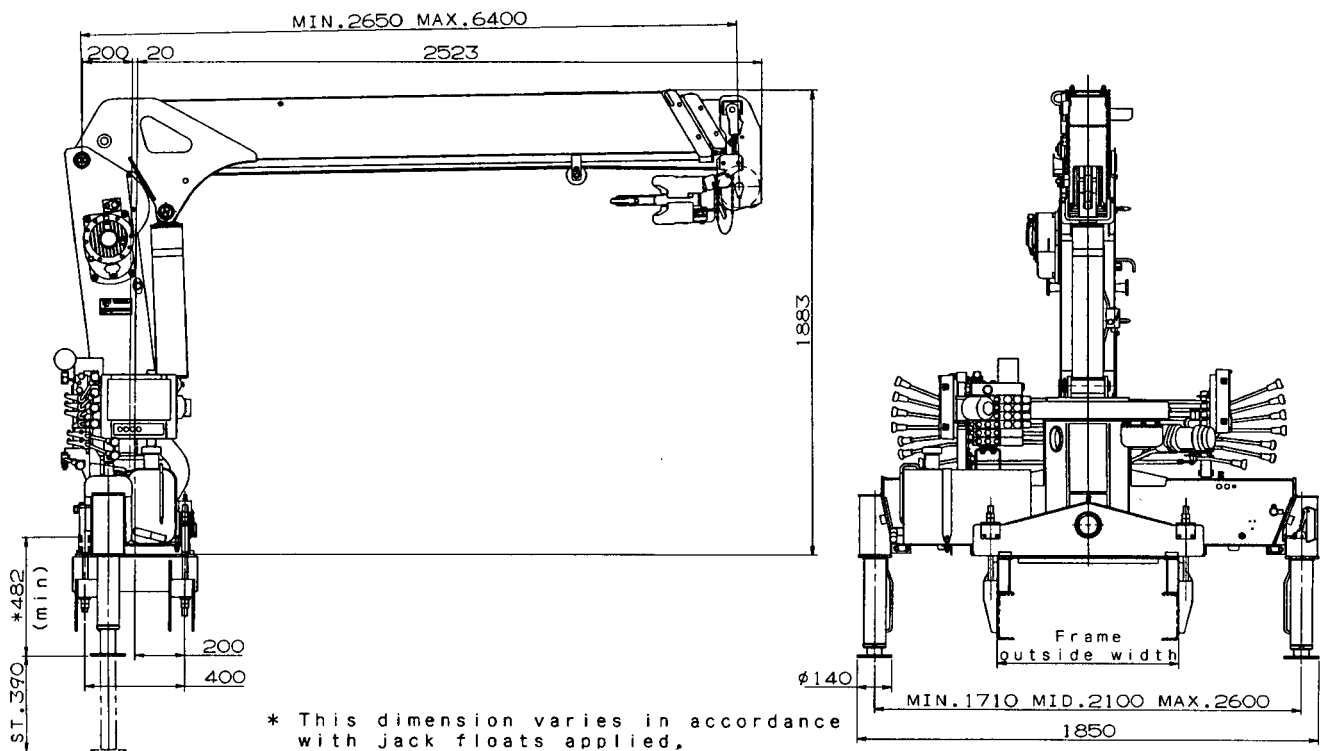
SPEC. SHEET No. TM-23Z-2-502/EX-01 [TM-ZR233(WH)]

## DIMENSIONS

### Z R 2 3 3 (W)



### Z R 2 3 3 (WH)



## GENERAL DATA FOR SUITABLE TRUCKS

Gross vehicle mass (including crane mass) -----  
4,000 to 8,000 kg

P.T.O. torque ----- 98 N·m {10 kgf·m} min.

P.T.O. revolution ----- Approx. 300 to 2,500 min<sup>-1</sup> {rpm}

Width for crane mounting --- Approx. 620 mm min.

Frame ----- Weight distribution and frame strength  
should be calculated for each truck

Frame width range (inside to outside) -----  
Approx. 650 to 820 mm

Frame height (ground to frame top) -----  
Approx. 905 mm max.  
(Height of crane mounting base can be  
changed by combination of jack floats  
and crane bases)