

GR-500EXL

(Right-hand drive)

Crane capacity :

51,000 kg at 2.5 m
(50,000 kg at 3.0 m)

5-section long boom :

11.1 m–42.0 m

2-staged telescopic jib :

8.0 m/12.7 m

Maximum lifting height :

42.4 m (Boom)
56.0 m (Jib)

Maximum load radius :

35.6 m (Boom)
44.2 m (Jib)



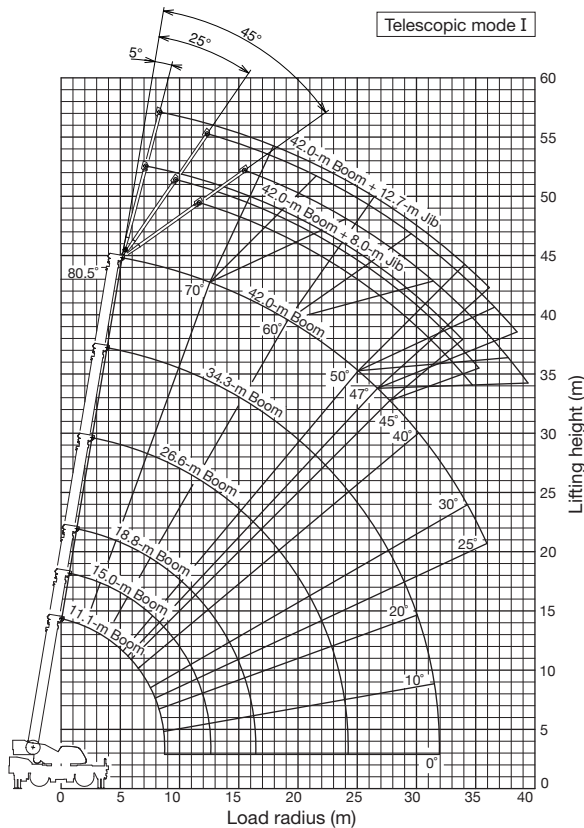
MODEL : GR-500EXL (Right-hand drive)

SPECIFICATIONS

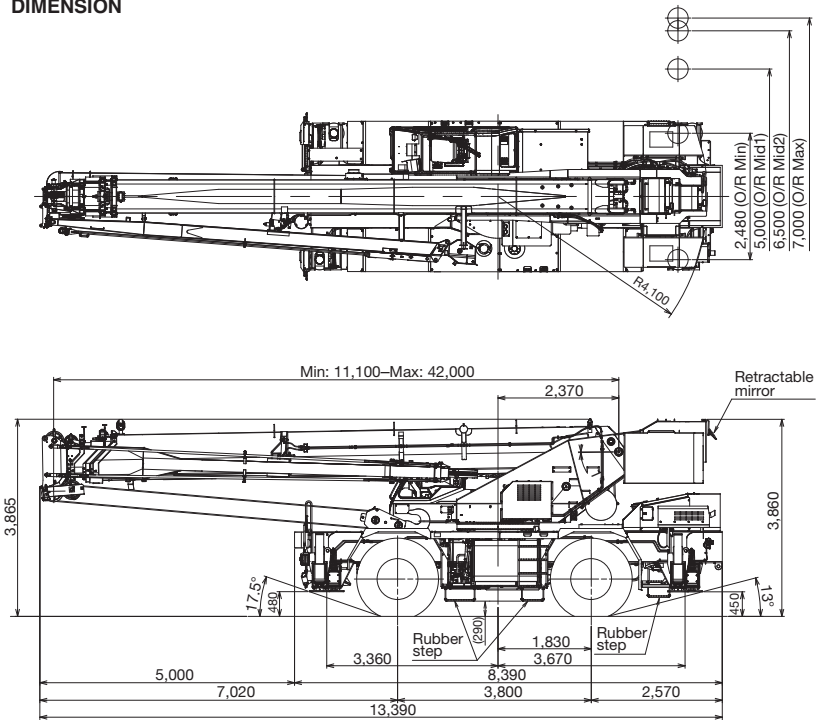
MAXIMUM CAPACITY	51,000 kg at 2.5 m (50,000 kg at 3.0 m)
PERFORMANCE	
Max. traveling speed	48 km/h
Gradeability (tan θ)	65% (at stall) 30%* * Machine should be operated within the limit of engine crackcase design. (17°: Mitsubishi 6M60-TL)
WEIGHT Gross vehicle mass	38,020 kg
-front axle	18,220 kg
-rear axle	19,800 kg
MIN. TURNING RADIUS	10.7 m (2-wheel steering), 6.3 m (4-wheel steering) (at center of extreme outer tire)
BOOM	5-section full power telescoping boom.
Fully retracted length	11.1 m
Fully extended length	42.0 m
Extension speed	30.9 m in 150 s
Elevation speed	20° to 60° in 30 s
JIB	2-staged telescopic boom extension. Triple offset (5°/25°/45°) type. Stows alongside base boom section. Single sheave at jib head.
Length	8.0 m and 12.7 m
MAIN WINCH	Variable speed type with grooved drum driven by hydraulic axial piston motor through speed reducer.
Max. single line pull**	56.0 kN (5,710 kgf) ** 1st layer
Single line speed	132 m/min. (at the 4th layer)
Wire rope	16 mm (Diameter)
AUXILIARY WINCH	Variable speed type with grooved drum driven by hydraulic axial piston motor through speed reducer.
Max. single line pull**	56.0 kN (5,710 kgf) ** 1st layer
Single line speed	124 m/min. (at the 3rd layer)
Wire rope	16 mm (Diameter)
SLEWING SPEED	2.1 min ⁻¹ {rpm}
Tail slewing radius	4,100 mm
HYDRAULIC SYSTEM	Pumps... 2 variable piston pumps for crane functions. Tandem gear pump for steering, slewing and optional equipment. Control valves... Multiple valves actuated by pilot pressure with integral pressure relief valves. Reservoir... 690 liters capacity. External sight level gauge. Oil Cooler... Air cooled fan type.

TADANO Automatic Moment Limiter (Model: AML-C)	Including: • Control lever lockout function with audible and visual pre-warning • Number of parts of line • Boom position indicator • Outrigger state indicator • Slewing angle • Boom angle / boom length / jib offset angle / jib length / load radius / rated lifting capacities / actual loads read out • Potential lifting height • Ratio of actual load moment to rated load moment indication • Permissible load • Automatic Speed Reduction and Slow Stop function on slewing • Working condition register switch • Load radius / boom angle / tip height / slewing range preset function • External warning lamp • Tare function • Main hydraulic oil pressure • Fuel consumption monitor • Main winch / auxiliary winch select • Drum rotation indicator (audible and visible type) main and auxiliary winch • On-rubber indicator
OUTRIGGERS	4 hydraulic, beam and jack outriggers. Vertical jack cylinders equipped with integral holding valve. Each outrigger beam and jack is controlled independently from cab.
Extension width	Maximum... 7,000 mm, Middle... 6,500 mm & 5,000 mm Minimum... 2,480 mm, Float size (Diameter)... 400 mm
CARRIER	Rear engine, right-hand drive, driving axle 2-way selected type by manual switch. 4 x 2 front drive, 4 x 4 front and rear drive
ENGINE	Model..... Mitsubishi 6M60-TL Type..... 4-cycle, turbo charged and after cooled. Piston displacement... 7.54 liters Bore x stroke... 118 mm x 115 mm Max. output... 200 kW at 2,600 min ⁻¹ {rpm} Max. torque... 785 N·m at 1,400 min ⁻¹ {rpm}
TRANSMISSION	Electronically controlled full automatic transmission.
STEERING	Hydraulic power steering. 3 steering modes available: 2-wheel front, 4-wheel coordinated, 4-wheel crab
SUSPENSION	Front..... Semi-elliptic leaf springs. Rear..... Semi-elliptic leaf springs.
TIRES	Front..... 505/95R25, Single x 2 Rear..... 505/95R25, Single x 2
FUEL TANK CAPACITY	300 liters

WORKING RANGE



DIMENSION



Dimension is with boom angle at -1° unless otherwise specified.

Some specifications are subject to change



TADANO LTD. (International Division)

4-12, Kamezawa 2-chome, Sumida-ku Tokyo 130-0014, Japan

Phone: +81-3-3621-7750 Fax: +81-3-3621-7785

http://www.tadano.com E-mail: info@tadano.com