

SPEC. SHEET No. TM-50Z-4-003/EX-02 [TM-ZR504]
SPEC. SHEET No. TM-50Z-4-303/EX-02 [TM-ZR504(H)]
DATE December, 1999

TADANO CARGO CRANE

MODEL : TM-ZR504
 TM-ZR504 (H) ----- with hook stowing device

CRANE SPECIFICATIONS

CRANE CAPACITY 3,230 kg at 3.7 m (4-part lines)

BOOM 4-sectioned, fully powered partly synchronized telescoping boom of pentagonal box construction
Retracted length ----- 3.55 m
Extended length ----- 10.8 m
Extending speed ----- 7.25 m / 21 s
Elevation ----- Elevated by a double-acting hydraulic cylinder
Elevating speed ----- 1° to 78° / 12 s
Boom point ----- 2 sheaves

WINCH Hydraulic motor driven Spur gear speed reduction, provided with mechanical brake
Single line pull ----- 7.94 kN{810 kgf}
Single line speed ----- 76 m/min. (at 4th layer)
Wire rope
diameter × length -----
8 mm × 68 m
breaking strength ----- 43.1 kN{4.39 tf}
construction ----- 7 × 7 + 6 × WS(26)
Hook block ----- 2 sheaves

HOOK STOWING DEVICE Mechanically stowed beneath boom top portion
[TM-ZR504(H) only]

SWING

Hydraulic motor driven Worm gear speed reduction Continuous
360° full circle swing on ball bearing slew ring

Automatic swing lock

Swing speed ----- 2.5 min⁻¹{rpm}

OUTRIGGERS

Manually extended sliders and hydraulically extended jacks

Integral with crane frame Power up and down

Extended width ----- Min. 2,200 mm

Mid. 3,000 mm

Max. 3,800 mm

HYDRAULICS

Hydraulic pump ----- Single gear pump

Hydraulic motors ----- Axial piston type for winch

Axial piston type for swing

Control valves ----- Multiple control valves with integral
safety valve

SAFETY DEVICES

Load meter

Load indicator

Over-winding alarm

Hoisting limiter [TM-ZR504(H) only]

P.T.O. indicator lamp

Hook safety latch

Level gauge

Hydraulic safety valves, check valves and holding valves

CRANE MASS

Approx. 1,770 kg (includes standardized mounting parts)

NOTE :

Operating speeds of the crane are guaranteed under the
condition that the pump delivery is 60 L/min.

RATED LIFTING CAPACITIES IN KILOGRAMS

B \ A	3.55 m	B \ A	10.8 m
	5.99 m		
	8.39 m		
3.7 m and below	3,230	4.5 m and below	2,030
4.5 m	2,580	5.0 m	1,830
5.0 m	2,280	6.0 m	1,480
5.5 m	2,030	7.0 m	1,230
6.0 m	1,830	8.0 m	1,080
6.5 m	1,680	9.0 m	980
7.0 m	1,550	10.0 m	880
7.5 m	1,430	10.58m	830
8.17m	1,280		

A : Boom Length

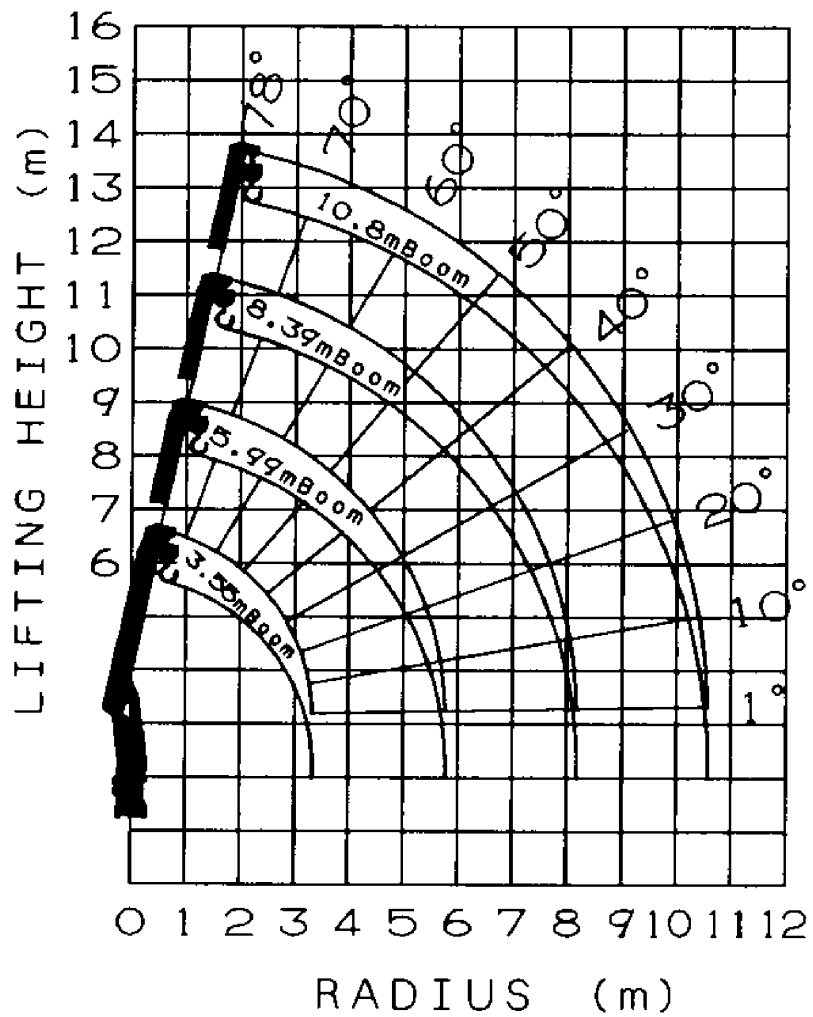
B : Load radius

NOTES :

1. The mass of the hook (30 kg), slings and all similarly used load handling devices must be added to the mass of the load.
2. The above numerical values of rated lifting capacities are based on crane strength only.

The rated lifting capacities based on stability may lower than those in the above table depending on the loading conditions and the types of the chassis.

WORKING RANGE

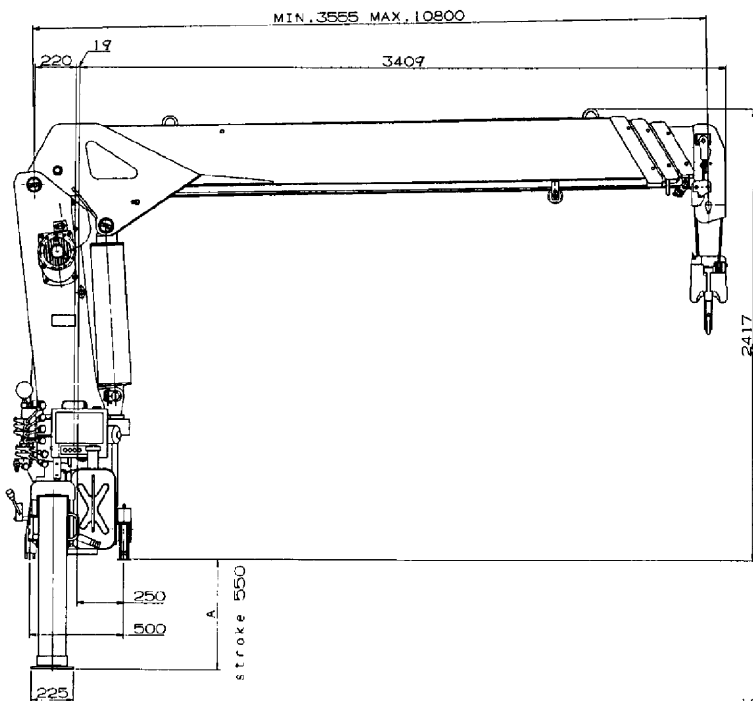


NOTE:

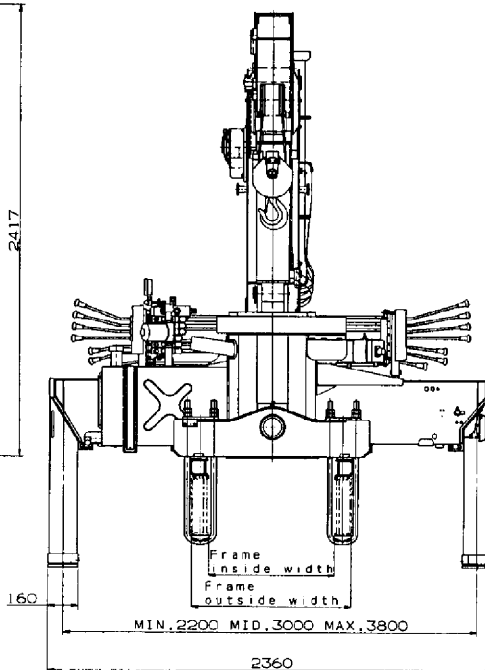
The above lifting heights and boom angles are based on a straight (unladen) boom, and allowance should be made for boom deflection obtained under laden conditions.

DIMENSIONS

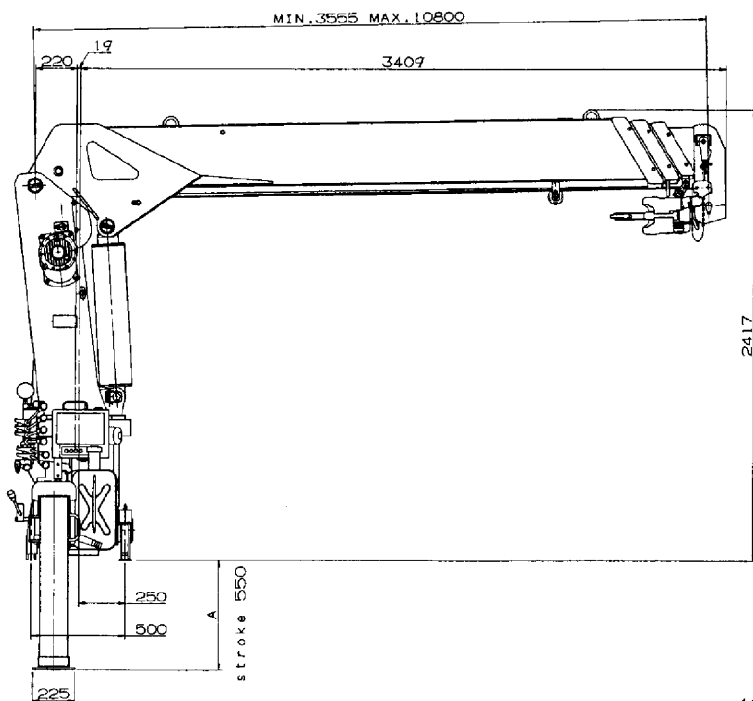
ZR504



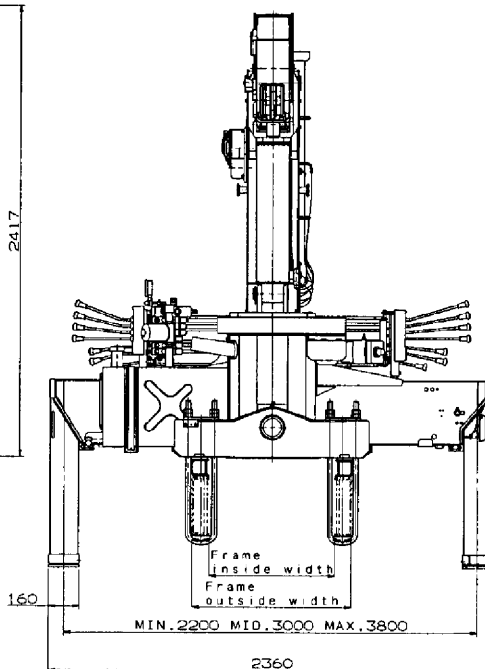
A = 590 mm or 900 mm
 (This dimension depends on jack floats applied.)



ZR504 (H)



A = 590 mm or 900 mm
 (This dimension depends on jack floats applied.)



GENERAL DATA FOR SUITABLE TRUCKS

Gross vehicle mass (including crane mass) -----	12,000 to 25,000 kg
P.T.O. torque -----	157 N·m{16 kgf·m} min.
P.T.O. revolution -----	Approx. 270 to 2,800 min ⁻¹ {rpm}
Width for crane mounting -----	Approx. 750 mm min.
Frame -----	Weight distribution and frame strength should be calculated for each truck
Frame width range (inside to outside) -----	Approx. 610 to 960 mm
Frame height (ground to frame top) -----	Approx. 1,235 mm max. (Height of crane mounting base can be changed by combination of jack floats and crane bases)