

SPEC. SHEET No. TM-56Z-2-007/EX-01 (Standard outrigger)  
SPEC. SHEET No. TM-56Z-2-027/EX-01 (Power slide outrigger)  
DATE December, 2000

TADANO CARGO CRANE

MODEL : TM-ZR566

CRANE SPECIFICATIONS

CRANE CAPACITY 3,230 kg at 3.4 m (4-part lines)

BOOM 6-sectioned, fully powered partly synchronized telescoping boom of pentagonal box construction

Retracted length ----- 4.69 m

Extended length ----- 18.06 m

Extending speed ----- 13.36 m / 31 s

Elevation ----- Elevated by a double-acting hydraulic cylinder

Elevating speed ----- 1° to 78° / 12 s

Boom point ----- 2 sheaves

WINCH Hydraulic motor driven Spur gear speed reduction, provided with mechanical brake and cable follower

Single line pull ----- 7.94 kN{810 kgf}

Single line speed ---- 76 m/min (at 4th layer)

Wire rope

diameter × length -----

8 mm × 103 m

breaking strength - 43.1 kN{4.39 tf}

construction ----- 7 × 7 + 6 × WS(26)

Hook block ----- 2 sheaves

<u>SWING</u>	Hydraulic motor driven    Worm gear speed reduction    Continuous 360° full circle swing on ball bearing slew ring Automatic swing lock Swing speed ----- 2.5 min <sup>-1</sup> {rpm}
<u>OUTRIGGERS</u>	Manually extended sliders and hydraulically extended jacks (Standard outrigger) Hydraulically extended sliders and hydraulically extended jacks (Power slide outrigger) Integral with crane frame    Power up and down Extended width ----- Min. 2,200 mm Mid. 3,300 mm , 4,300 mm Max. 4,800 mm
<u>HYDRAULICS</u>	Hydraulic pump ----- Single gear pump Hydraulic motors ----- Axial piston type for winch Axial piston type for swing Control valves ----- Multiple control valves with integral safety valve
<u>SAFETY DEVICES</u>	Load meter Load indicator Over-winding alarm Hoisting limiter P.T.O. indicator lamp Hook safety latch Level gauge Hydraulic safety valves, check valves and holding valves
<u>CRANE MASS</u>	Approx. 2,280 kg (Standard outrigger) Approx. 2,330 kg (Power slide outrigger) (includes standardized mounting parts)
NOTE :	Operating speeds of the crane are guaranteed under the condition that the pump delivery is 60 L/min.

**RATED LIFTING CAPACITIES IN KILOGRAMS**

A \ B		4.69m 7.41m 10.11m		A \ B		12.76m		A \ B		15.41m		A \ B		18.06m	
		B				B				B				B	
3.4 m and below		3,230		4.5 m and below		2,030		5.0 m and below		1,030		6.0 m and below		530	
4.0 m		2,680		5.0 m		1,830		6.0 m		930		7.0 m		430	
5.0 m		2,030		6.0 m		1,480		7.0 m		800		8.0 m		380	
6.0 m		1,630		7.0 m		1,200		8.0 m		700		9.0 m		380	
7.0 m		1,330		8.0 m		980		9.0 m		630		10.0 m		330	
8.0 m		1,100		9.0 m		830		10.0 m		550		11.0 m		330	
9.0 m		900		10.0 m		700		11.0 m		480		12.0 m		280	
9.89m		780		11.0 m		600		12.0 m		430		13.0 m		230	
				12.0 m		530		13.0 m		380		16.0 m		180	
				12.5 m		500		14.0 m		330		17.8 m		180	
								15.1 m		300					

A : Boom length

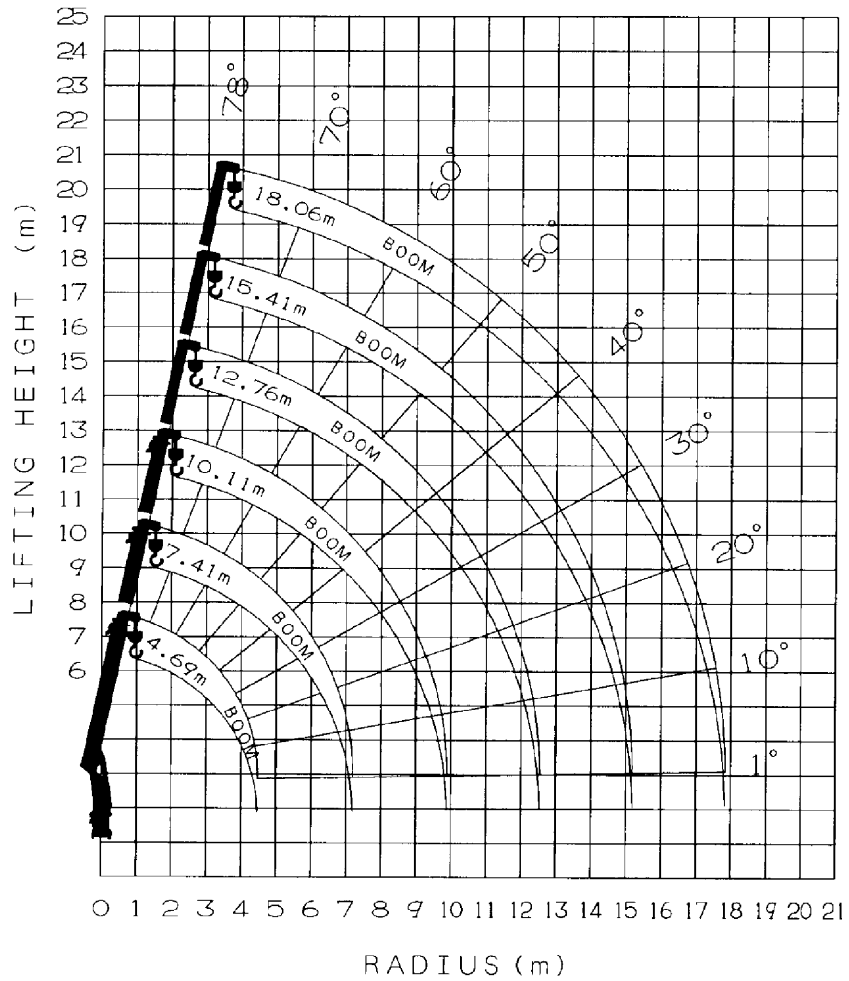
B : Load radius

NOTES :

1. The mass of the hook (32 kg), slings and all similarly used load handling devices must be added to the mass of the load.
2. The above numerical values of rated lifting capacities are based on crane strength only.

The rated lifting capacities based on stability may lower than those in the above table depending on the loading conditions and the types of the chassis.

### WORKING RANGE



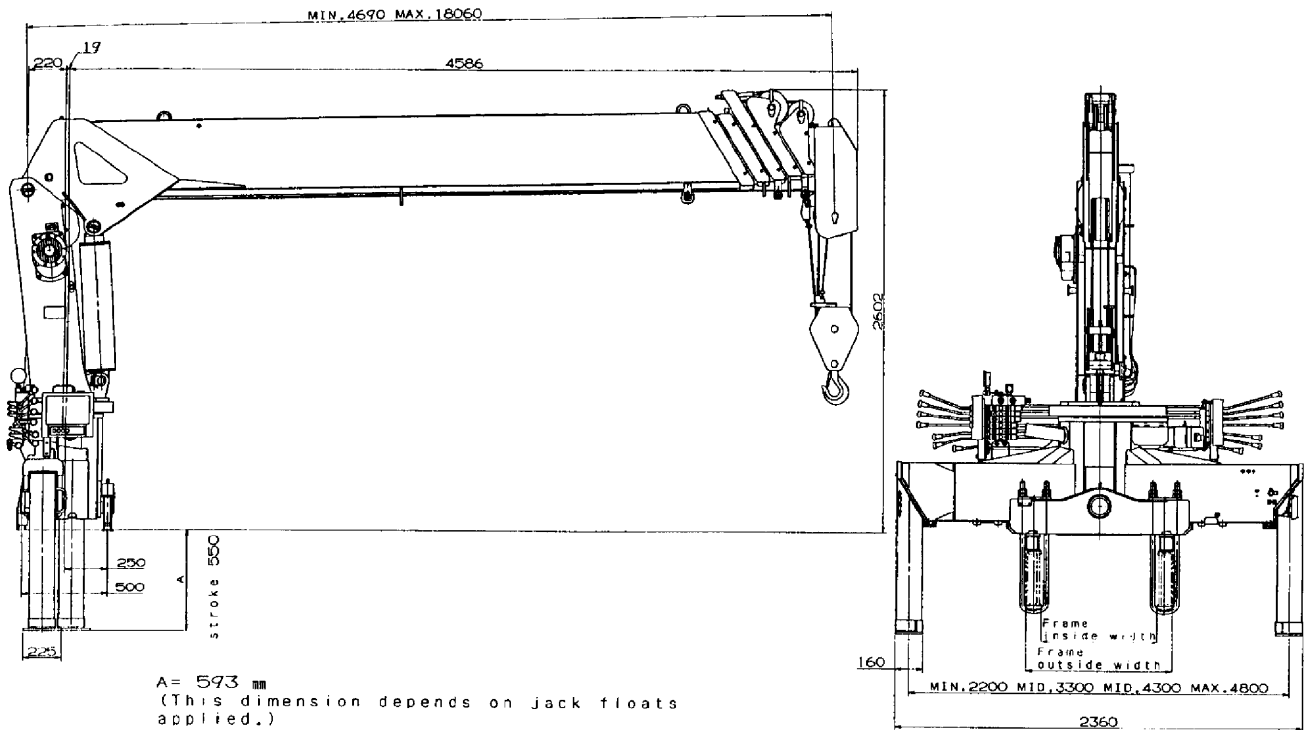
**NOTE:**

The above lifting heights and boom angles are based on a straight (unladen) boom, and allowance should be made for boom deflection obtained under laden conditions.

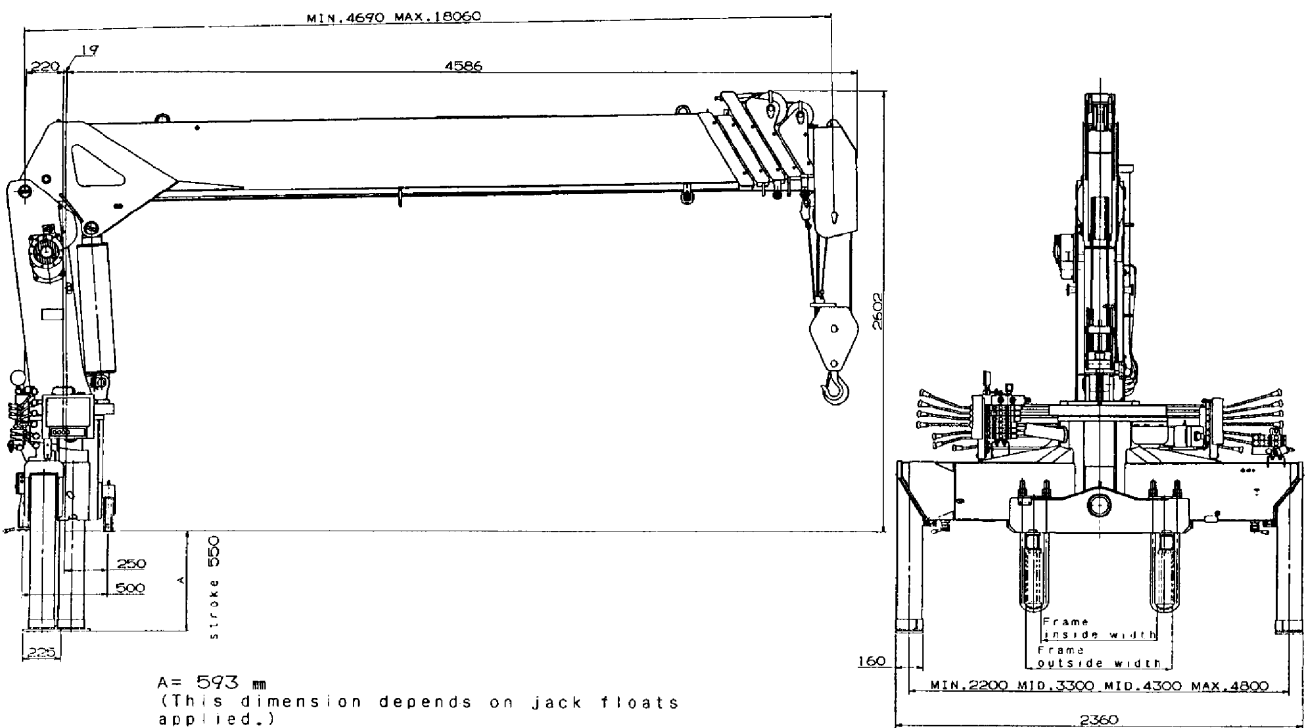
SPEC. SHEET No. TM-56Z-2-007/EX-01 (Standard outrigger)  
 SPEC. SHEET No. TM-56Z-2-027/EX-01 (Power slide outrigger)

## DIMENSIONS

### ZR566 (Standard outrigger)



### ZR566 (Power slide outrigger)



## GENERAL DATA FOR SUITABLE TRUCKS

Gross vehicle mass (including crane mass) -----  
12,000 to 25,000 kg

P.T.O. torque ----- 157 N·m{16 kgf·m} min.

P.T.O. revolution ----- Approx. 270 to 2,800 min<sup>-1</sup>{rpm}

Width for crane mounting-- Approx. 750 mm min.

Frame ----- Weight distribution and frame strength  
should be calculated for each truck

Frame width range (inside to outside) -----  
Approx. 610 to 960 mm

Frame height (ground to frame top) -----  
Approx. 1,235 mm max.  
(Height of crane mounting base can be  
changed by combination of jack floats  
and crane bases)